

## Mini Excavators

# DX10Z-7

Maximum power	10.35 hp
Operating weight	1165 kg
Max. bucket capacity	0,020m <sup>3</sup>



# DEVELON

# DEVELON

**Continuous evolution,  
for better.**

---

We trace our roots to 1937 as one of Korea's first large-scale machine plants. During that time, we have consistently delivered earth-moving equipment to build critical infrastructure for the betterment of communities, societies and the wider world.

**We are  
Develon.**

Develon is a bold name that reflects our core ambition to continue developing onwards and leaving behind a positive footprint in our world. Moving forward, we will continue providing innovative products and solutions that advance the world we live in today.





# Lift beyond limits

The smallest from the DEVELON Mini excavator range, the DX10Z-7 is powered by a Kubota D722 engine, delivering 10.35 hp. It features a strategically designed new boom improved lifting capacity, reaching far spots with and at the same time increased digging reach at ground level. Along with enhanced traction force and ergonomically designed seat with the operator in mind make it highly efficient no matter if you are working in your garden or any confined city area, the DX10Z-7 meets all your needs for efficient job completion.

## Top performance

The DX10Z-7 mini excavator, though compact, is a powerhouse capable of handling a wide range of tasks with ease. Its robust engine and advanced hydraulic system deliver impressive performance, allowing it to tackle digging, lifting, and grading efficiently. It combines power and precision, making it an indispensable tool for operators who need a reliable and efficient machine for various applications.

## Versatility

Despite its small size, the DX10Z-7 offers remarkable power and versatility, making it ideal for construction sites, landscaping projects, and urban environments. A variety of attachments further maximize the machine's versatility getting it ready for various types of jobs, easily switching from one to another.

## Safety

While working on a job site, the operator will feel secure due to the machine's reliability and balance during operations, equipped with a retractable seat belt for enhanced operator safety instilling trust in its performance. Extendable undercarriage and foldable TOPS canopy allows to the operator the access to narrow job sites that larger machinery cannot reach without any worry.

## Controllability

The DX10Z-7 mini excavator offers exceptional ease of controllability for the operator. Its user-friendly interface, responsive hydraulic system, and ergonomic controls ensure precise and effortless operation. Operators will appreciate the intuitive joystick controls and the seamless coordination between movement and function, enhancing productivity and reducing fatigue during extended use.

## Zero tail-swing

While working close to an obstacle, the DX10Z-7 enhances safety and maneuverability in confined spaces providing the peace of mind especially in confined spaces. This design ensures that the rear of the excavator stays within the width of the tracks, reducing the risk of impacts, promoting a safer working environment.







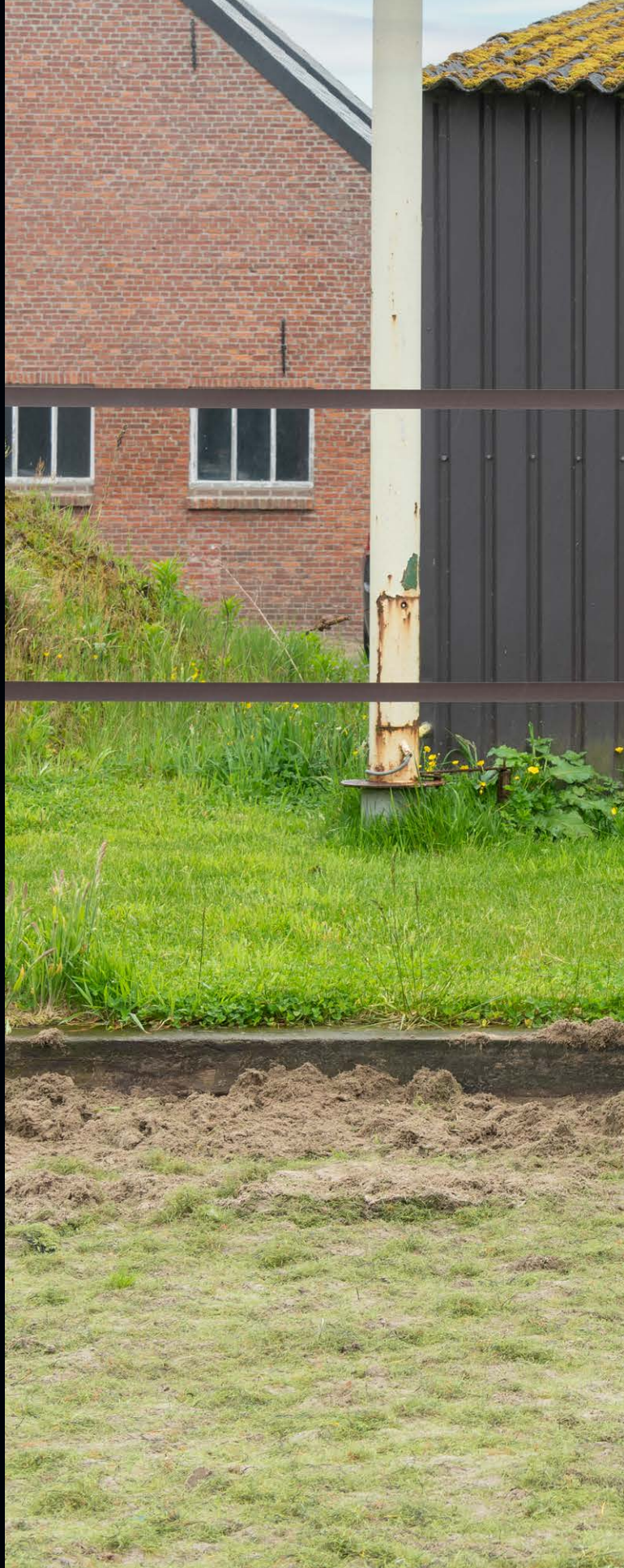


## Reliable power in compact form

The smallest Develon excavator, the DX10Z-7, is designed for easy operation in confined work environments.

### Enhanced design and performance

Powered by a 16.2 hp engine. Fast cycle times and class-leading breakout forces ensure maximum productivity, while boom and arm cylinder cushioning enhance overall smoothness making this compact, yet powerful machine perfect for various jobs.







Compact build,  
colossal power





From every  
task to every  
challenge





## Extend upward, explore downward

The machine's advanced technology allows for smooth maneuverability, making it ideal for tight spaces and complex tasks..

### Enhanced stability and lifting capacity

With enhanced stability and lifting capacity, combined with best-in-class proportional auxiliary flow, the DX10Z-7 offers exceptional versatility for operating a wide range of attachments. Its superior dumping height simplifies loading trucks, while the extended reach at ground level reduces the need for frequent repositioning when digging.

### New boom design

Strategically designed with new boom design and increased arm length (810mm to 890mm) is made to increase the working range and help you get high reachable spots. Compact in design as it is can fit any space and let you do the work in tight hard accessible areas with any other Mini excavator.

The DX10Z-7 features increased dumping height and increased digging reach at ground level at the same time. The boom cylinder is positioned on the upper side of the boom, and the front assembly is safeguarded by cylinder guards to prevent collisions and damage. The optimized hydraulic hose layout, running inside the boom structure, reduces the risk of hose damage and failure, minimizing the need for repairs and downtime. Additionally, the machine boasts improved lifting capacity and increased bucket breakout force, as well as increased arm breakout force. Enhanced track length on the ground and improved stability result in increase of the traction force.

### New boom design

Reduced in dimensions, DX10Z-7 fits easily on a conventional trailer and offers easier transportability thanks to new integrated upper structure tie-down points.





**Lift high,  
reach far, stay  
grounded**





## Dig with confidence, move with stability

The DX10Z-7 features an extendable undercarriage width of up to 1100 mm, ensuring maximum stability along with zero tail swing for enhanced safety and peace of mind when working close to obstacles. Designed with the operator in mind, it includes a swivel and tilting stand system for excellent ergonomic flexibility along with the LED working lamp on the boom together enhance operator's safety and comfort on the job site..

### Foldable canopy

The tops can be folded down quickly without any tools, allowing the machine to pass through most European-sized doors or narrow spaces. All you need to do is to remove the locking pin and fold the upper canopy body backward and you will be sure you will access many hard reachable tiny pace and make the job easy done.

### Swing lock pin

The swing lock must be engaged to prevent rotation of the upper structure when moving forward. Especially when the excavator is being transported or parked on. The swing lock must be engaged to prevent rotation of the upper structure when moving forward. Especially when the excavator is being transported or parked on uneven terrain, as sudden swinging can cause accidents or damage to the surroundings.

### Easy component access

For the eased access to the engine Dig with confidence, move with stability Lift high, reachfar, stay grounded components a maintenance window was designed under the operator's seat. Engine oil filter, fuse, deep stick are all easy reachable.



# Simplified operation, maximum efficiency

The DX10Z-7 features several indicators and switches designed to enhance ease of control and minimize interruptions during operation.



## Controlability

Additionally, the Track extension and Blade select switches along with the Travel speed switch button, enable quick and intuitive adjustments to suit various tasks. Together, these features enable the operator to manage the machine effectively and stay updated on its working status without disrupting the job. You can control the engine speed level by adjusting the engine speed control lever for the lowest to the highest engine speed. It features two pedals - one for boom and another one for aux. line both easy to activate/use.

## Blade control level

After pressing the track width adjusting switch, the chassis width can be changed using the blade control lever (730/1100 mm). Accordingly, the width of the dozer blade also needs to be adjusted.

## Swing lock pin

To prevent rotation of the upper structure when moving forward, especially when the excavator is being transported or parked on uneven terrain to avoid accidents or damage, the swing lock must be engaged by aligning the upper structure with the lower frame and inserting the lock pin into the holes.



# Maintenance made simple

The reinforced chassis provides strength, while the optimized boom shape ensures uniform load distribution for greater durability. Top quality materials, the most advanced computer aided designed, and endurance testing under the most demanding conditions ensure your excavator keeps on performing.



## Cylinder over boom

The workgroup of this excavator boasts a cylinder-over-boom design, eliminating the risk of cylinder damage. Additionally, the auxiliary hydraulic hoses are routed inside the boom to prevent damage during operation. These features significantly enhance durability.

## Lockable cap

A unique and secure access point for all maintenance checks is provided.

## Designed to last

The DX10Z-7 is designed for low maintenance with longer intervals - resulting in more machine availability on-site. Meanwhile, skilled DEVELON-trained technicians are available to provide extra support when needed..



Develon Fleet Management > Management on the job site > Work efficiency management > Preventive management > Proactive service





# Monitor your equipment from anywhere

To compete and succeed, your equipment needs to maximize job site productivity and the bottom line. Develon machines do both. To ensure a high return on investment, we add more premium features as standard equipment on every model. Our standard features are often options that other manufacturers only provide at extra cost. By including them as standard, Develon gives you a competitive edge — helping operators work more efficiently and improving safety during long days on the field.

## > Telematics terminal

Terminal device is installed and connected to a machine to capture machine data.

## > Telecommunication

Develon provides dual-mode (Mobile, Satellite) communication to maximize communication coverage.

## > Develon Fleet Management WEB

Users can monitor machine status from Develon Fleet Management Web.

---

Operation trend	Total operation hours and operation hours by mode.
Fuel efficiency*	Fuel level and fuel consumption
Reports & Location	Operation report & utilization. GPS and geo-fence.
Warning & Alert	Detect machine warnings, antenna disconnection, and geo/time fence
Filter & Oil management	Preventive maintenance by item replacement cycle.

---



# Attachments

Versatile DEVELON-7 Series mini excavators can use a variety of attachments so you can do more than dig – expanding your capabilities on every job. DEVELON attachments are built to DEVELON machine specifications for superior reliability and performance.

---

## Pin-on quick coupler



The quick coupler perfectly fits your Develon Mini Excavator as it is constructed based on your machine's kinematics. You're guaranteed a precise and secure connection, as the new quick coupler features perfectly fitted stoppers. This quick coupler has been modeled to endure extreme conditions and work optimally in any loading scenario.

---

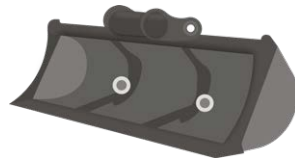
## Digging buckets with teeth



The digging buckets are equipped with thick and chamfered side cutters, and bottom wear straps covering 90% of the bottom of the bucket.

---

## Grading bucket



The grading bucket is equipped with one or more web plates to increase the stiffness of the bucket.

---







# DEVELON

## TECHNICAL SPECIFICATIONS

# DX10z-7



### Engine

Make	KUBOTA
Model	D722
Number of cylinders	3
Rated power, gross	10.35 hp (7.6 kW) @ 2050 rpm
Max. torque, net	4.08 kgf.m @ 1600 rpm
Displacement	0.719 l
Bore and stroke	67 mm × 68 mm
Air cleaner	Double elements

### Hydraulics

Main pumps	2 × 10.4 l/min @
Pilot pump (gear design)	3.1 min @ 2300 rpm
Max. pressure aux. line	176 bar
Swing (crossover relief)	69 bar

### Maximum System Pressure

Boom/arm/bucket (normal mode)	210 kg/cm <sup>2</sup>
Swing (crossover relief)	165 kg/cm <sup>2</sup>

### Swing Mechanism

Swing speed	8.7 rpm
Swing torque	152.7 kgf.m

### Performance

Travel speed (low – high)	1.7 / 3.4 km/h
Traction force, max. (drawbar pull)	12.75 Kn
Max. Gradeability	30°
Bucket digging force	10.8 kN
Arm digging force	6.3 kN

### Environment

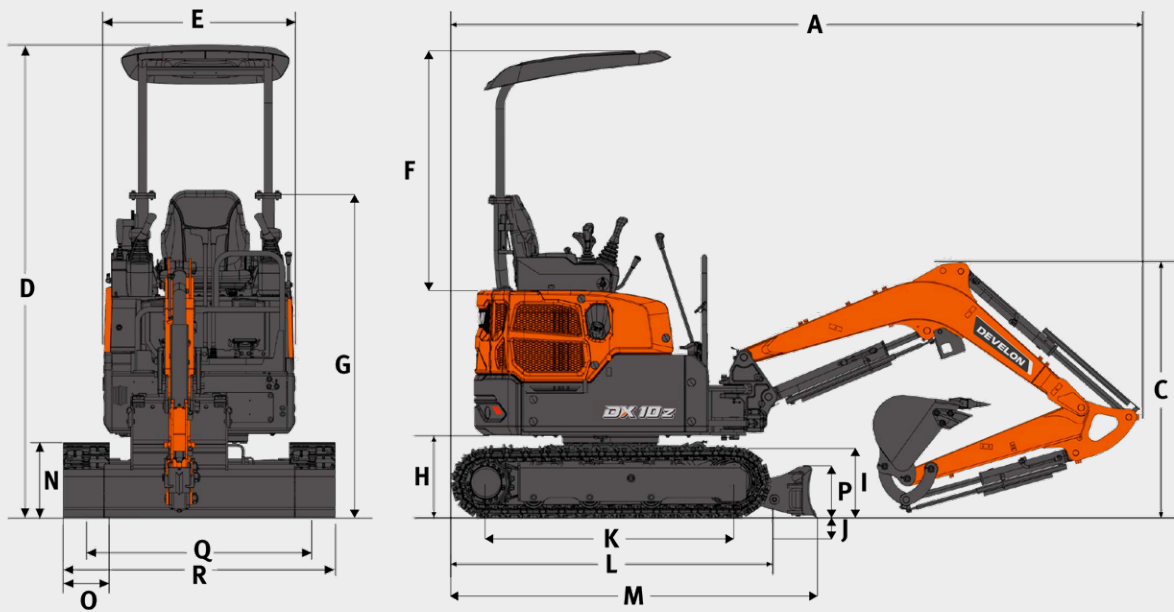
Sound level (ISO 6395)	91 dB (A)
Cabin sound level	76 dB (A)

### Refill Capacities

Fuel tank	14.2 l
Cooling system (radiator capacity)	2 l
Hydraulic tank	10.8 l
Engine oil	2.8 l
Travel device	2 × 0.33 l



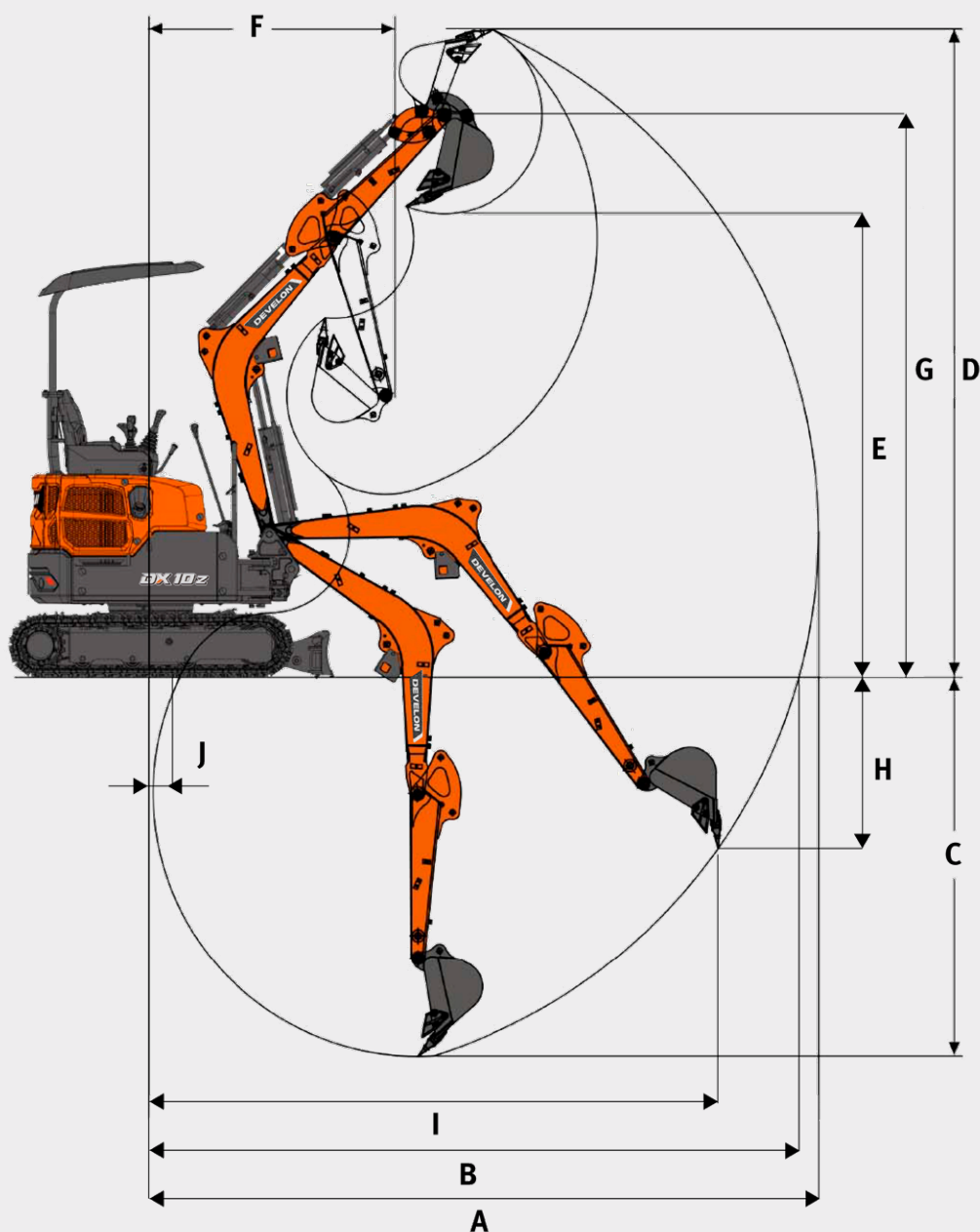
# Dimensions



## Machine Dimensions

	Unit	DX10Z-7
Front	-	2 Pillar Canopy
Boom length	mm	1450
Arm length	mm	890
Bucket capacity (150)	m <sup>3</sup>	0.02
Undercarriage / Shoe -	-	Rubber
Overall length	mm	3010
Overall height - Boom	mm	1095
Overall height - Canopy	mm	2220
Overall width (Retracted/Extended)	mm	730 / 1100
Rear swing radius	mm	550
Ground clearance	mm	150
Rear end distance	mm	550
House width	mm	730
Canopy width	mm	730
Height over cover	mm	-
Counterweight clearance	mm	395
Track height	mm	328.2
Track length	mm	1353.1
Tumbler distance	mm	1025
Track gauge (Retracted / Extended)	mm	550 / 920
Undercarriage width (Retracted / Extended)	mm	730 / 1100
Shoe width	mm	-
Dozer digging depth	mm	220
Dozer lift clearance	mm	227
Dozer blade height	mm	200
Distance to dozer end	mm	890

# Working range



## Working Range

	Unit	DX17Z-7
Boom type	mm	1450
Operating weight	kg	1165
Bucket type (SAE)	m <sup>3</sup>	0.02
Arm type	mm	890
Max. digging reach	mm	3400
Max. digging reach (ground)	mm	3355
Max. digging depth	mm	2205
Min. swing radius	mm	1410 (1110)
Max. digging height	mm	3050
Max. bucket pin height	mm	2645
Max. vertical wall depth	mm	1025
Max. Radius vertical	mm	2935



# Lifting Capacities - DX10Z-7


	A	1.0 m		1.5 m		2.0 m		2.5 m		Max. reach		
B												A


## DX10Z-7 + BLADE UP + Boom 1.45 m · Arm 0.8 m · w/o Bucket · Shoe (Rubber) 180 mm · Unit 1000 kg

2.5 m									0.28	0.29	Max. at (m) 1.83
2.0 m					0.25 *	0.25			0.18	0.18	Max. at (m) 2.42
1.5 m					0.24	0.25	0.17	0.18	0.14	0.15	Max. at (m) 2.74
1.0 m			0.37	0.39	0.23	0.24	0.16	0.17	0.13	0.13	Max. at (m) 2.91
0.5 m	*	*			0.22	0.23	0.36	0.17	0.12	0.13	Max. at (m) 2.96
0 m				0.34	0.21	0.22	0.15	0.16	0.12	0.13	Max. at (m) 2.90
-0.5 m		0.55*	0.55*	0.34	0.21	0.22	0.15	0.16	0.14	0.14	Max. at (m) 2.73
-1.0 m		0.69	0.73	0.34	0.21	0.22			0.17	0.17	Max. at (m) 2.39

## DX10Z-7 + Blade down · Boom 1.45 m · Arm 0.89 m · w/o Bucket · Shoe (Rubber) 180 mm · Unit 1000 kg

2.5 m						*			0.33**	0.33*	Max. at (m) 1.83
2.0 m					0.25*	0.25*			0.28**	0.28*	Max. at (m) 2.42
1.5 m					0.27*	0.27*	0.28*	0.28*	0.25**	0.25*	Max. at (m) 2.74
1.0 m			0.47*	0.47*	0.36*	0.36*	0.30*	0.30*	0.25**	0.25*	Max. at (m) 2.91
0.5 m				*	0.43*	0.43*	0.32*	0.32*	0.24**	0.24*	Max. at (m) 2.96
0 m			0.59*	0.59*	0.44*	0.44*	0.32*	0.32*	0.23 *	0.23 *	Max. at (m) 2.90
-0.5 m	0.55*	0.55*	0.59*	0.59*	0.39*	0.39*	0.27*	0.27*	0.21*	0.21*	Max. at (m) 2.73
-1.0 m	0.89*	0.89*	0.89*	0.46	0.30*	0.30*			0.20*	0.20*	Max. at (m) 2.3916

 Rating over front.

 Rating over side or 360°.

1. Lifting capacities are in compliance with ISO 10567 2007.
2. The load point is at the end of the arm.
3. \* limited hydraulic lift capacities.
4. Lift capacities do not exceed 75% of minimum tipping loads or 87% of hydraulic lifting capacity.
5. For lifting capacity with bucket, simply subtract the actual weight of the bucket from the values.
6. Lift capacities apply only to the machine as originally manufactured and normally equipped by the manufacturer.
7. The configurations indicated do not necessarily reflect the standard equipment of the machine.

# Standard & Optional equipment

## Standard

## DX10Z-7

TOPS canopy (Tip Over Protective Structure TOPS)	▪
1450 mm boom	▪
890 mm arm	▪
Hydraulically activated track expansion from 730 to 1100 mm , 180 mm rubber track	▪
730 mm dozer blade with two blade extensions (1100 mm extended)	▪
Two-speed travel	▪
1st auxiliary line (double acting) on arm	▪
Hydraulic joystick control	▪
Control console locks	▪
Boom light metal protection	
Retractable seat bel	▪



# Develon Warranty

## Your key to equipment protection and peace on mind

Unlock unparalleled protection for your heavy construction equipment with Develon. Our robust warranties and premium protection plans ensure your investment is safeguarded and adds lasting value.

### **Tailored warranty plans**

Choose from a range of affordable protection plans, designed exclusively for Develon customers through our authorized dealers. These plans turn your machine's price into a strategic investment, not just an expense.

### **Develon Premium: Premium protection**

Opt for Develon Premium to experience unmatched security, reliability, and overall value. This top-tier plan shields your equipment from unexpected costs and minimizes downtime, letting you focus on what matters – getting the job done\*.

### **Act now!**

Contact our authorized Develon Dealers today and fortify your equipment investment. With a seamless process and lasting benefits, Develon ensures your heavy construction equipment remains in peak condition.

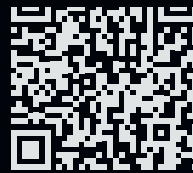
**Choose Develon Extended Warranty:  
Play safe and secure your investments.**

\* Only for ADT, HEX, and WLO.  
Offer may vary based on model.

# Powered by Innovation

# DEVELON

Space for dealer's stamp



HD Hyundai Infracore Europe s.r.o.  
IBC – Pobrezni 620/3,  
18600 Praha 8 – Karlín, Czechia

©2024 HD Hyundai Infracore. All rights reserved.

D4601310-EN (04-24)

Certain specification(s) are based on engineering calculations and are not actual measurements. Specification(s) are provided for comparison purposes only and are subject to change without notice. Specification(s) for your individual Develon equipment will vary based on normal variations in design, manufacturing, operating conditions, and other factors. Pictures of Develon units may show other than standard equipment.